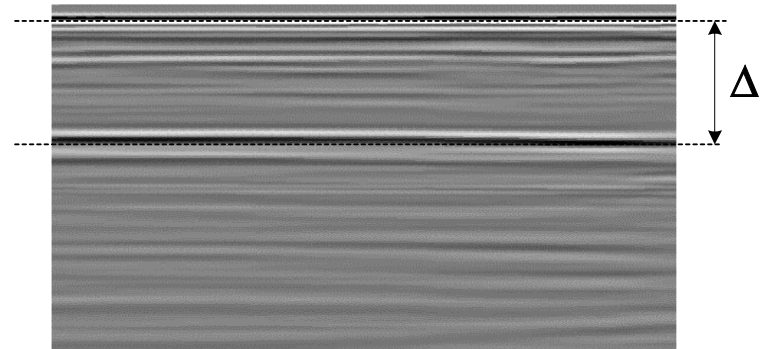
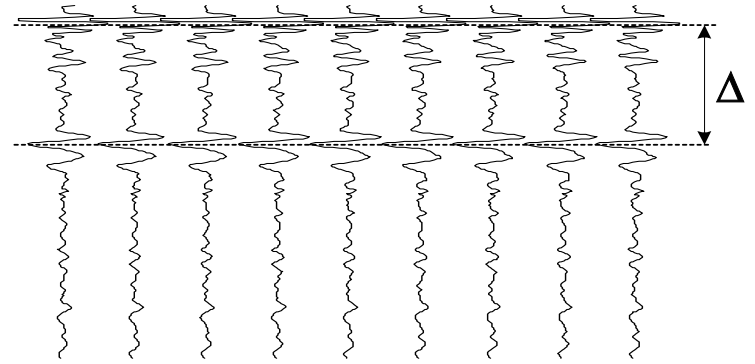
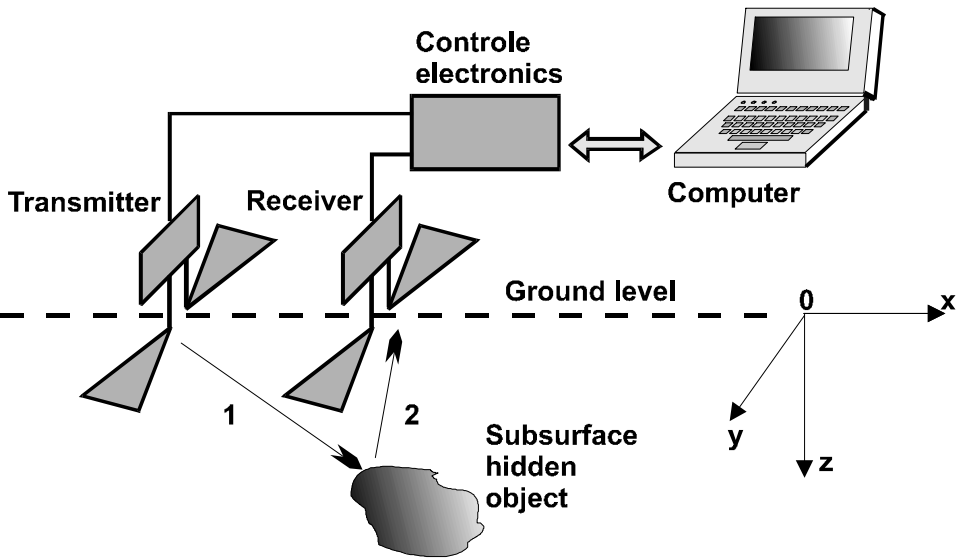


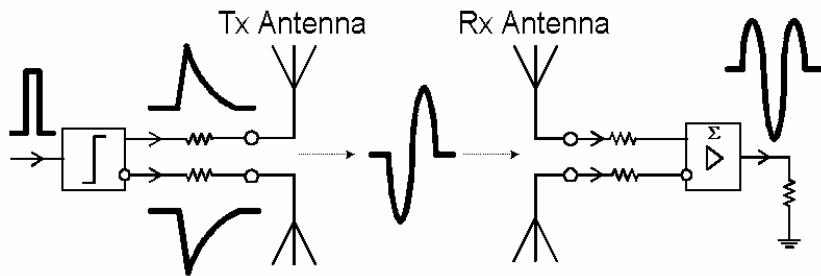
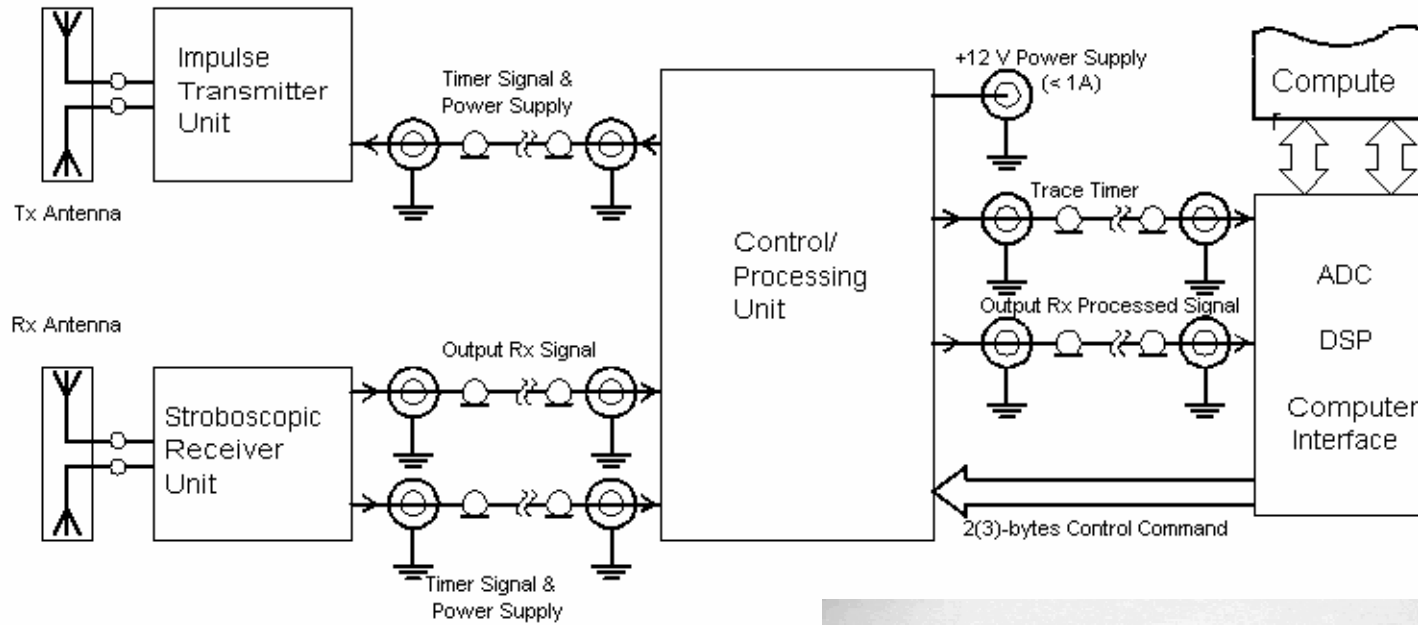
Ultra-Wide Band Subsurface Radar

Basic Elements of Subsurface Radar



*Anatoliy Boryssenko,
Research Company "Diascarb"
Kiev, Ukraine
1995-1999*

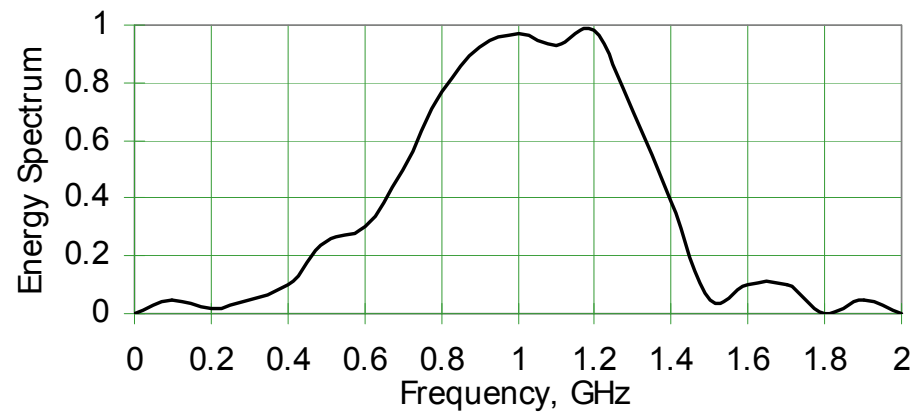
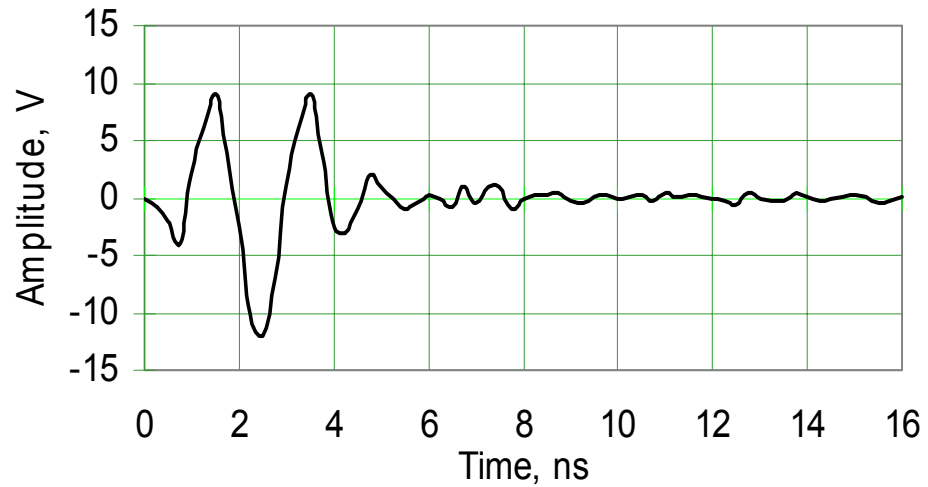
Ultra-Wide Band Subsurface Radar



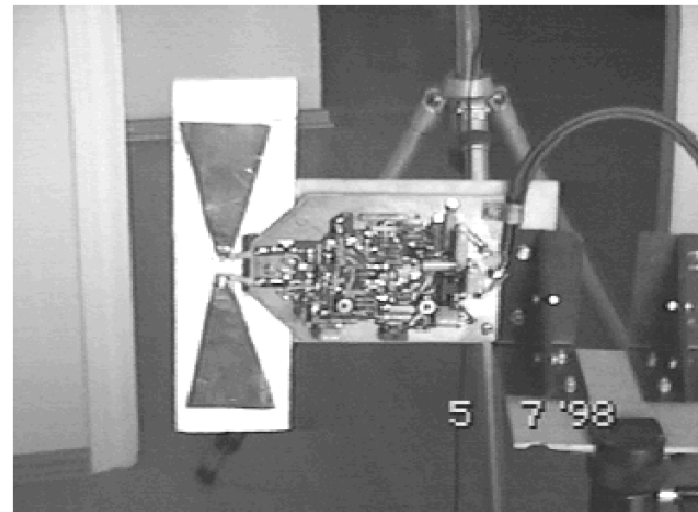
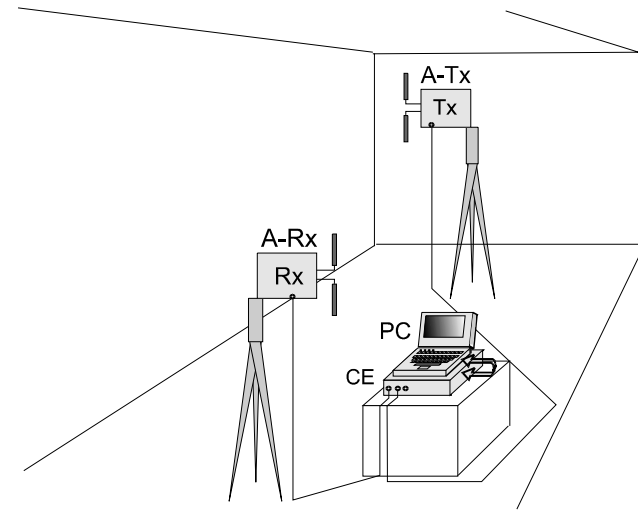
*Anatoliy Boryssenko,
Research Company "Diascarb"
Kiev, Ukraine
1995-1999*

Ultra-Wide Band Antennas Testing

Signal Waveform and Spectrum



Measurement Assembly



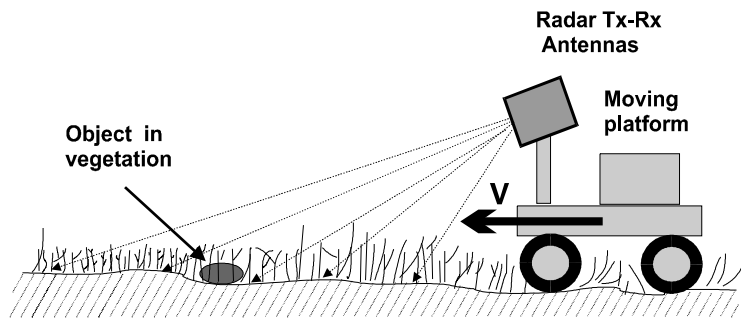
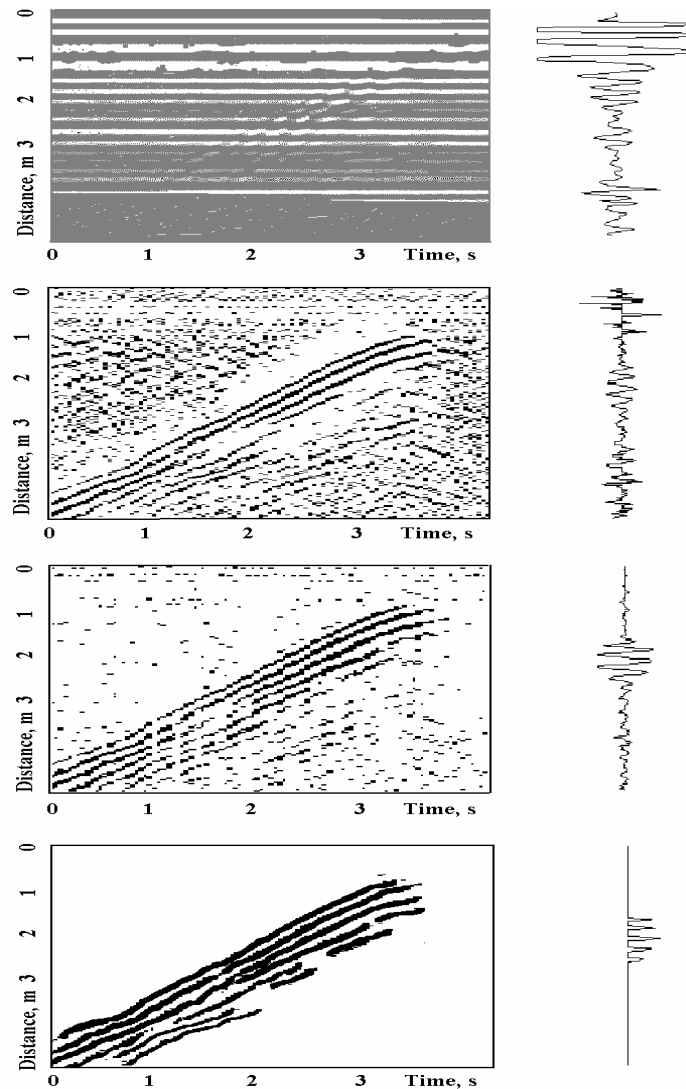
*Anatoliy Boryssenko,
Research Company "Diascarb"
Kiev, Ukraine
1995-1999*

Ultra-Wide Radar on a Vehicle to Find Obstacles in Vegetation

Field Testing Assembly



Data Processing Chart



Anatoliy Boryssenko,
Research Company "Diascarb"
Kiev, Ukraine
1995-1999